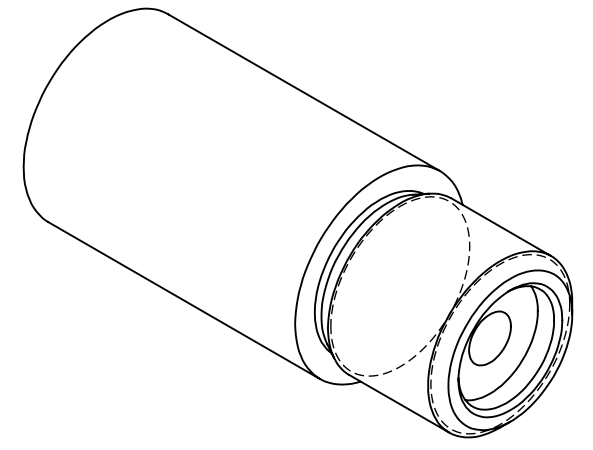
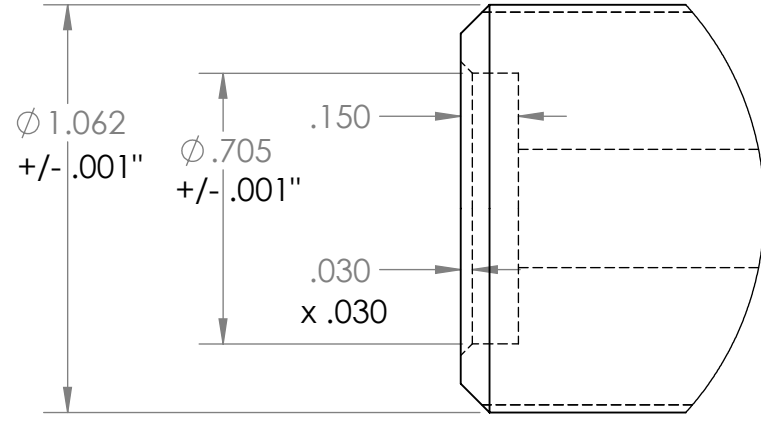


2

1

DETAIL B  
SCALE 2 : 1

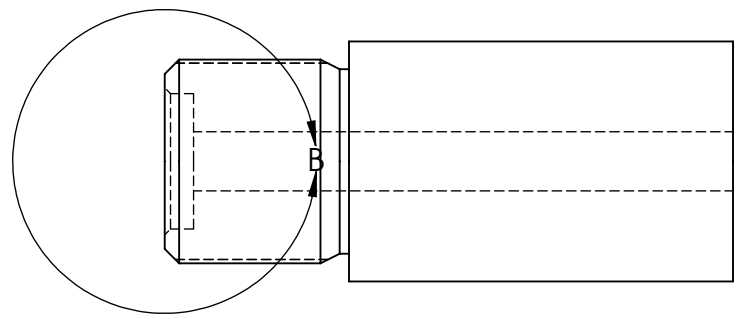
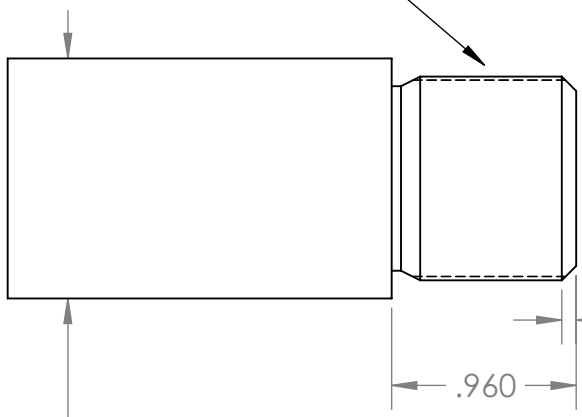
Go Gauge Protrude  
.008"



B

B

1.062" x 16 TPI  
1.022" Pitch Dia



A

A

Ø 1.250

.075  
x .075 chamfer

		UNLESS OTHERWISE SPECIFIED:		NAME	DATE
		Unless otherwise Specified DIMENSIONS ARE IN INCHES TOLERANCES: TWO PLACE DECIMAL ±.010 THREE PLACE DECIMAL ±.005.	DRAWN		
		INTERPRET GEOMETRIC TOLERANCING PER:	CHECKED		
		MATERIAL	ENG APPR.		
		FINISH	MFG APPR.		
NEXT ASSY	USED ON		Q.A.		
APPLICATION		DO NOT SCALE DRAWING	COMMENTS:		

TITLE:		
SIZE	DWG. NO.	REV
rem_700		Defiance_Ruckus_P
SCALE: 1:1		SHEET 1 OF 1

**PROPRIETARY AND CONFIDENTIAL**  
The information contained in this drawing is the sole property of Lijja Precision Riflebarrels, Inc. Any reproduction in part or as a whole without the written permission of Lijja Precision Riflebarrels, Inc. IS PROHIBITED.

2

1