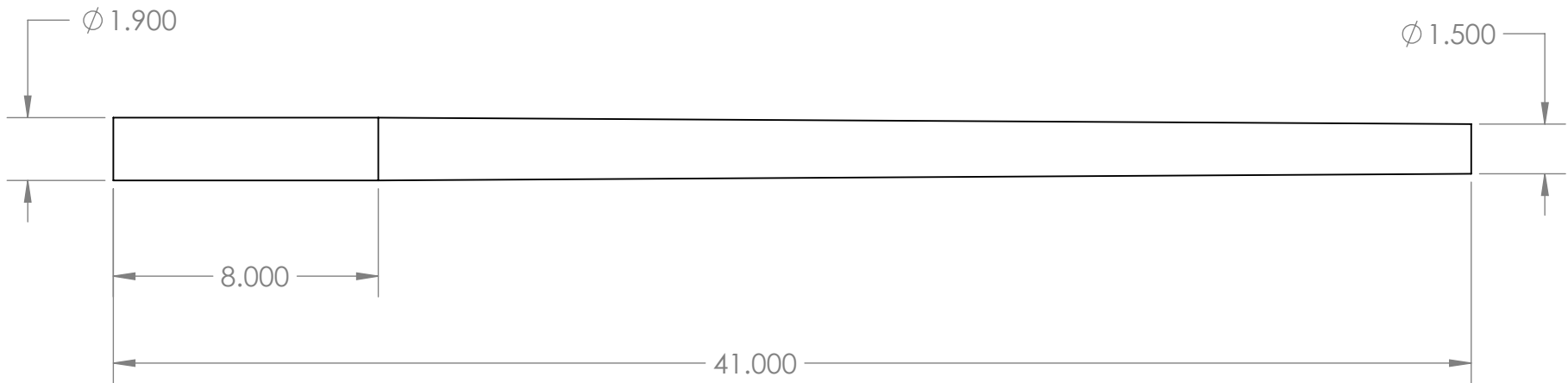
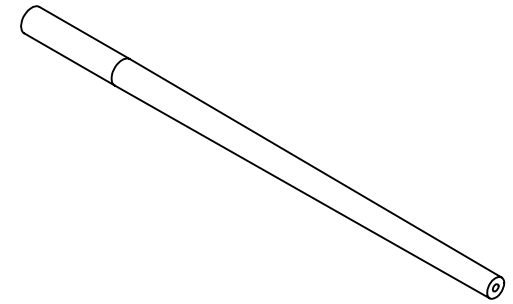


2

1

B

B



A

A

PROPRIETARY AND CONFIDENTIAL
 The information contained in this drawing is the sole property of Lijja Precision Riflebarrels, Inc. Any reproduction in part or as a whole without the written permission of Lijja Precision Riflebarrels, Inc. IS PROHIBITED.

		UNLESS OTHERWISE SPECIFIED:		NAME	DATE	TITLE:		
		Unless otherwise Specified DIMENSIONS ARE IN INCHES TOLERANCES: TWO PLACE DECIMAL ±.010 THREE PLACE DECIMAL ±.005.	DRAWN					
			CHECKED					
			ENG APPR.					
			MFG APPR.					
		INTERPRET GEOMETRIC TOLERANCING PER:	Q.A.			SIZE DWG. NO. REV A 50sp72		
		MATERIAL Stainless Steel (ferritic)	COMMENTS:					
NEXT ASSY	USED ON	FINISH				SCALE: 1:8	25.24	SHEET 1 OF 1
APPLICATION		DO NOT SCALE DRAWING						

2

1