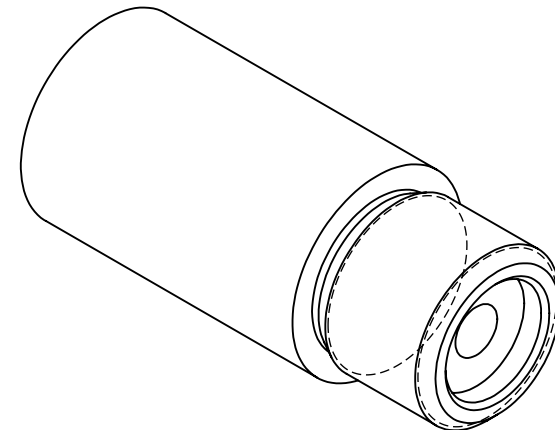
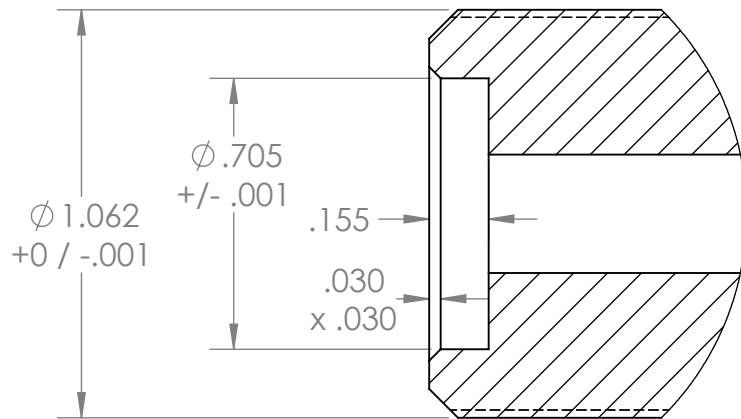
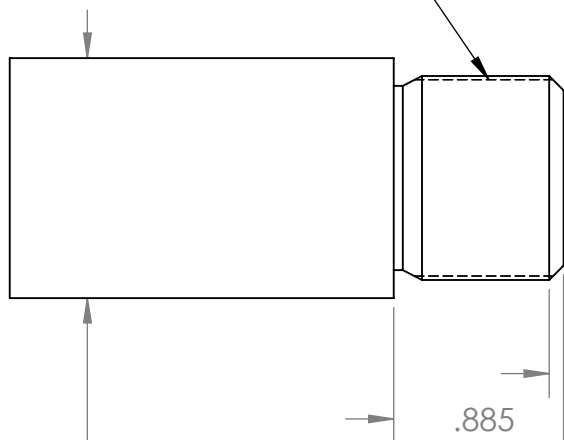


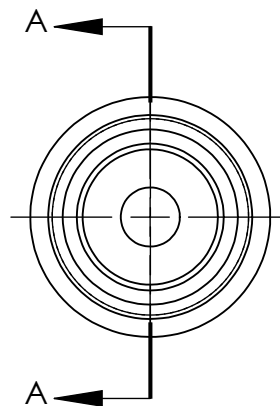
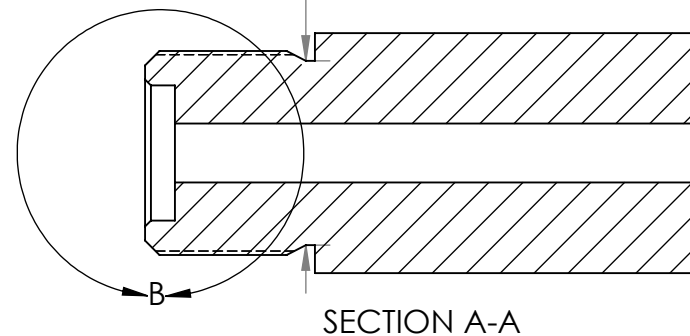
DETAIL B
SCALE 2 : 1



1.062 x 16 TPI
1.022" pitch dia.



ϕ .960
undercut dia.



ϕ 1.250
-1.200 depending on barrel contour

UNLESS OTHERWISE SPECIFIED: DIMENSIONS ARE IN INCHES TOLERANCES: Unless otherwise specified ANGULAR: MACH \pm 1° TWO PLACE DECIMAL \pm .010 THREE PLACE DECIMAL \pm .005		NAME	DATE	<p>Lilja Precision Rifle Barrels, Inc. P.O. Box 372, Plains, MT 59859 406-826-3084 www.riflebarrels.com</p>
DRAWN		DL		
CHECKED				
ENG APPR.				
MFG APPR.				
INTERPRET GEOMETRIC TOLERANCING PER:		Q.A.		<p>SIZE A DWG. NO. rem_700_thread REV</p>
MATERIAL		COMMENTS:		
FINISH				
DO NOT SCALE DRAWING		SCALE: 1:1	WEIGHT:	SHEET 1 OF 1

PROPRIETARY AND CONFIDENTIAL
THE INFORMATION CONTAINED IN THIS DRAWING IS THE SOLE PROPERTY OF Lilja Precision Rifle Barrels, Inc. ANY REPRODUCTION IN PART OR AS A WHOLE WITHOUT THE WRITTEN PERMISSION OF Lilja Precision Rifle barrels, Inc. IS PROHIBITED.