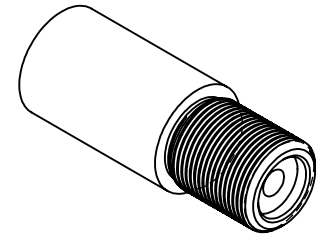
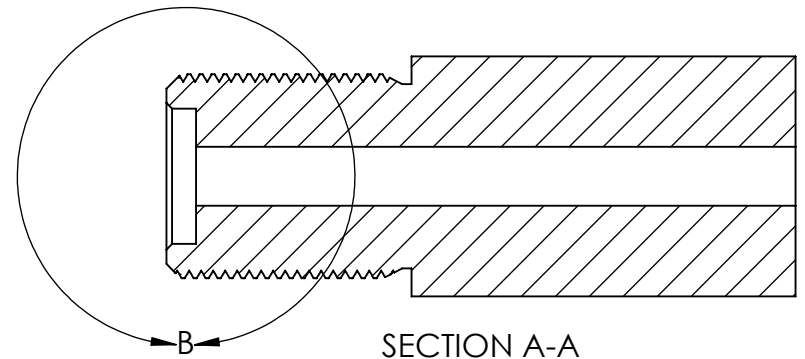
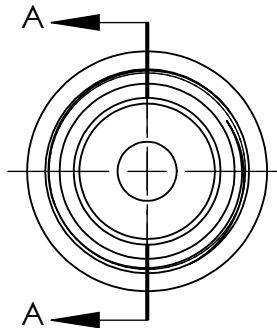
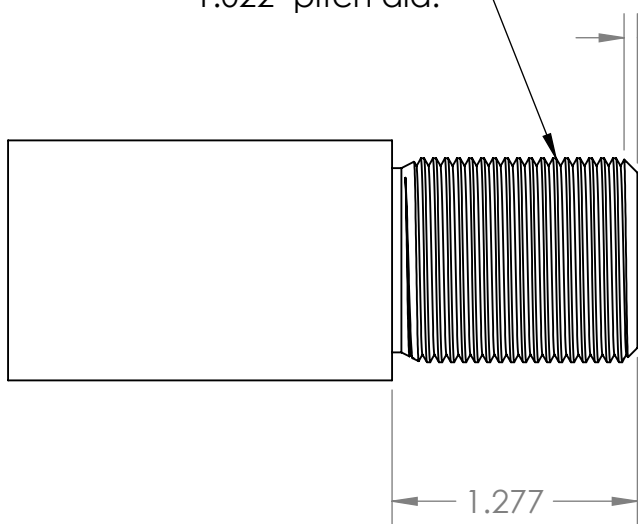


DETAIL B
SCALE 2 : 1



1.062" x 16 TPI
1.022" pitch dia.

.07
chamfer



SECTION A-A

Defiance Rebel with .975" long thread
and .312" thick recoil lug

UNLESS OTHERWISE SPECIFIED:
DIMENSIONS ARE IN INCHES
TOLERANCES:
Unless otherwise specified
ANGULAR: MACH ± 1°
TWO PLACE DECIMAL ±.010
THREE PLACE DECIMAL ±.005

PROPRIETARY AND CONFIDENTIAL
THE INFORMATION CONTAINED IN THIS
DRAWING IS THE SOLE PROPERTY OF
Lilja Precision Rifle Barrels, Inc. ANY
REPRODUCTION IN PART OR AS A WHOLE
WITHOUT THE WRITTEN PERMISSION OF
Lilja Precision Rifle barrels, Inc. IS
PROHIBITED.

INTERPRET GEOMETRIC
TOLERANCING PER:

MATERIAL

FINISH

DO NOT SCALE DRAWING

	NAME	DATE
DRAWN	DL	
CHECKED		
ENG APPR.		
MFG APPR.		
Q.A.		
COMMENTS:		

Lilja Precision Rifle Barrels, Inc.

P.O. Box 372, Plains, MT 59859
406-826-3084
www.riflebarrels.com

SIZE	DWG. NO.	REV
A	defiance_thd.312lug	

SCALE: 1:1	WEIGHT:	SHEET 1 OF 1