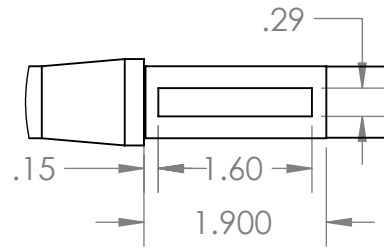
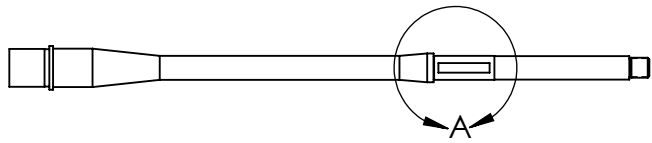
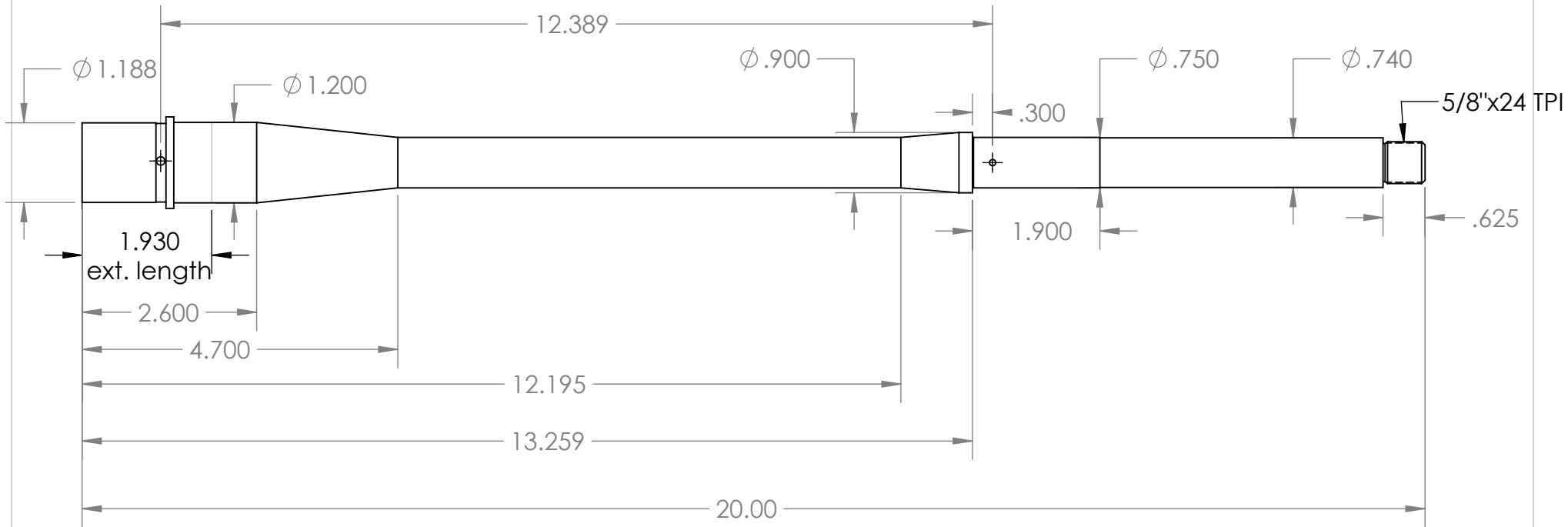
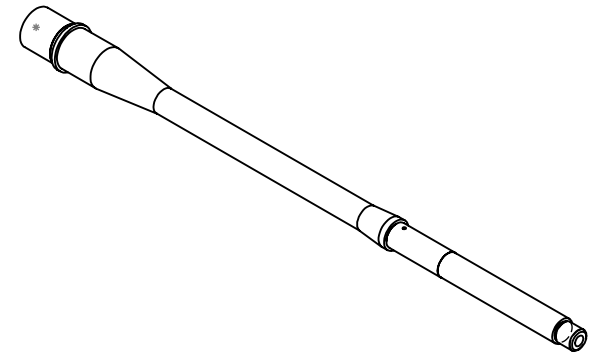


Details of setscrew flat opposite gas port hole



DETAIL A
SCALE 1 : 2



UNLESS OTHERWISE SPECIFIED: DIMENSIONS ARE IN INCHES TOLERANCES: Unless otherwise specified ANGULAR: MACH $\pm 1^\circ$ TWO PLACE DECIMAL $\pm .010$ THREE PLACE DECIMAL $\pm .005$	NAME	DATE
	DRAWN	DL
	CHECKED	
	ENG APPR.	
	MFG APPR.	
INTERPRET GEOMETRIC TOLERANCING PER:	Q.A.	

Lilja Precision Rifle Barrels, Inc.
P.O. Box 372, Plains, MT 59859
406-826-3084
www.riflebarrels.com

PROPRIETARY AND CONFIDENTIAL
THE INFORMATION CONTAINED IN THIS DRAWING IS THE SOLE PROPERTY OF Lilja Precision Rifle Barrels, Inc. ANY REPRODUCTION IN PART OR AS A WHOLE WITHOUT THE WRITTEN PERMISSION OF Lilja Precision Rifle Barrels, Inc. IS PROHIBITED.

MATERIAL

FINISH

DO NOT SCALE DRAWING

Note: calculated weight shown at lower right, is for a .308 groove diameter at full length. Shorter lengths and fitting and chambering or caliber change will change weight.

SIZE	DWG. NO.	REV
A	ar10_740_w_ext_mod	
WEIGHT IN POUNDS:		SHEET 1 OF 1