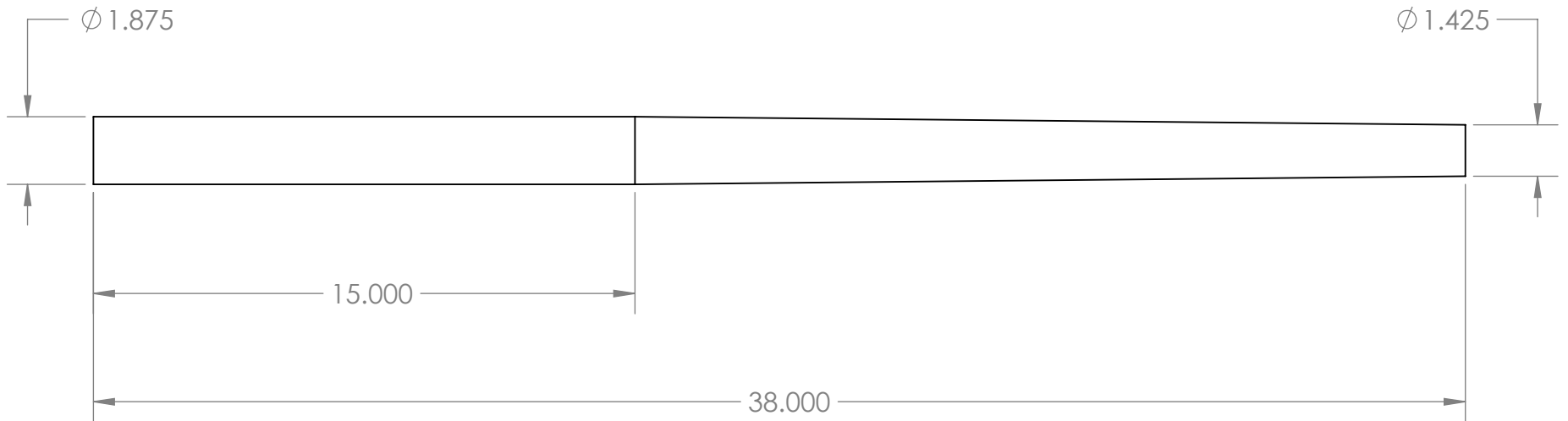
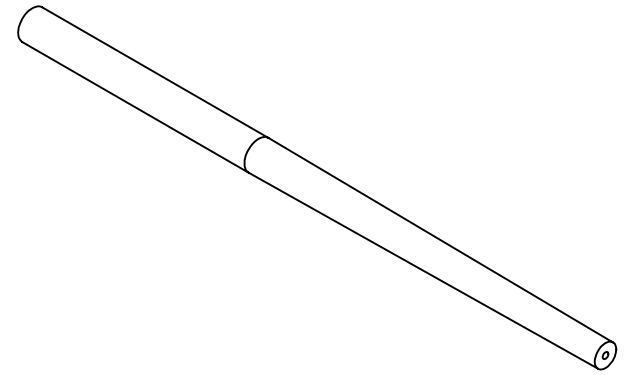


2

1

B

B



A

A

PROPRIETARY AND CONFIDENTIAL
 The information contained in this drawing is the sole property of Lijja Precision Riflebarrels, Inc. Any reproduction in part or as a whole without the written permission of Lijja Precision Riflebarrels, Inc. IS PROHIBITED.

		UNLESS OTHERWISE SPECIFIED:		NAME	DATE	TITLE:	
		Unless otherwise Specified DIMENSIONS ARE IN INCHES TOLERANCES: TWO PLACE DECIMAL $\pm .010$ THREE PLACE DECIMAL $\pm .005$.	DRAWN				
			CHECKED				
			ENG APPR.				
			MFG APPR.				
		INTERPRET GEOMETRIC TOLERANCING PER:	Q.A.			REV	
		MATERIAL Stainless Steel (ferritic)	COMMENTS:			SIZE A	DWG. NO. 50sp45
		FINISH				SCALE: 1:8	24.43
NEXT ASSY	USED ON	APPLICATION	DO NOT SCALE DRAWING				

2

1